



# County of San Diego

DEPARTMENT OF PUBLIC WORKS  
TRAFFIC ENGINEERING SECTION

APPLICATION FOR TRAFFIC CONTROL PERMIT -- ATTACHED PLAN  
(type of traffic control: flag, shift, etc.)

DPW2017-RWTCP-00741

County of San Diego  
DPW / Traffic Engineering (MS 0338)  
5510 Overland Ave, Suite 410  
San Diego, CA 92123-1239

telephone/voice mail: (858) 694-3863  
secretary: (858) 694-3850  
fax: (858) 694-3928  
e-mail: yosmia.johnson@sdcounty.ca.gov

RELATED TRAFFIC CONTROL PERMIT: DPW2017-  
RWTCP-00229

ENCROACHMENT/EXCAVATION/CONSTRUCTION PERMIT # DPW2017-RWEXCP-71191

### Applicant Information

Company: NV5 / SAN DIEGO GAS & ELECTRIC

Agent/Applicant: ALBERT DECHICO

Agent Phone Number: 760-644-8014 Agent Fax Number: \_\_\_\_\_

Agent Mailing Address: 15092 AVENUE OF SCIENCE, SUITE 200

City: SAN DIEGO State: \_\_\_\_\_ Zip Code: 92128

TO PROVIDE FOUR STAGGING AREAS TO STORE SHORING AND TRENCH PLATTING  
EQUIPMENT.

Reason for Traffic Control: FOR THE TL23071 ELECTRICAL TRANSMISSION LINE PROJECT

Start Date: 07/26/2017

Start Time: SEE NOTES

Finish Date: 09/22/2017

End Time: SEE NOTES

**It is requested that a permit be granted for traffic control on the following street/streets:**

STREET 1 POMERADO RD From SEE ATTACHED LIST  
Street OF LOCATIONS To \_\_\_\_\_

COMMUNITY SAN DIEGO TB 1209-F6 & G6 Thomas Bros. Map Page and Grid # \_\_\_\_\_

## Signature on Application

(Agent's or Applicant's Signature)

07/26/2017

(Date)

**See Attached Plan (s) and Traffic Control Notes**

**This request is / is not approved.**

Director, Department of Public Works

By [Signature]  
(For Road Commissioner)

DPW2017-RWTCR-00229



COUNTY OF SAN DIEGO  
DEPARTMENT OF PUBLIC WORKS  
TRAFFIC ENGINEERING SECTION

APPLICATION FOR TRAFFIC CONTROL PERMIT Flagging

Type of traffic control: *flag, shift, etc.*

County of San Diego  
DPW Traffic Engineering Section  
Room 470, MS 0334  
5510 Overland Ave, Suite 410  
San Diego, CA 92123-1239

Telephone/voice mail: (858) 694-3863  
Secretary (858) 694-3850  
Fax (858) 694-3928  
DPWTRAFFICCONTROL.PERMIT@SDCOUNTY.CA.GOV

Encroachment/excavation/construction permit # DPW2017-RWEXCP-71191

**Applicant Information**

Company SDGE (Neal Bartek) / NV5

Agent/applicant Dechico Albert  
Last Name First

Agent Telephone # 760-644-8014 Agent Fax # \_\_\_\_\_

Agent Mailing Address: 15092 Avenue of Science, Ste 200 San Diego CA 92128  
Street Name and Number City State Zip Code

Agent E-mail Address ADechico@SEUcontractor.com

Reason for Traffic Control: Trenching for proposed TL23071 Electrical transmission line

Start Date: 3/15/2017 Start Time: 8:30 AM a.m. / p.m.  
Finish Date: 9/15/2017 End Time: 3:30 PM a.m. / p.m.

*It is requested that a permit be granted for traffic control on the following street/streets:*

STREET 1 Pomerado Rd From Street Willow Creek Rd To I-15

STREET 2 \_\_\_\_\_ From Street \_\_\_\_\_ To \_\_\_\_\_

COMMUNITY \_\_\_\_\_ Thomas Brothers Map Page and Grid # 1209-F6

Signed Albert Dechico 3/6/2017  
Agent or Applicant Date

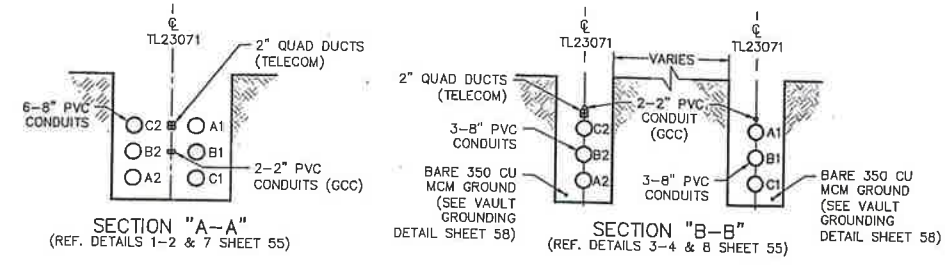
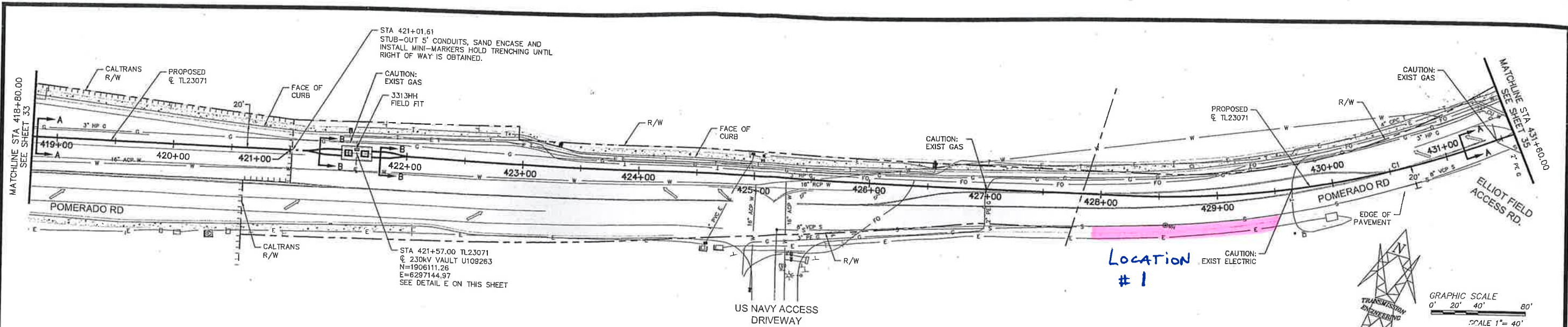
**See Attached Plan (s) and Traffic Control Notes**

This request is:

APPROVED  DENIED

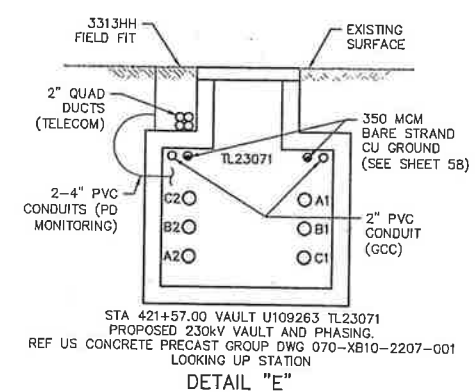
Director, Department of Public Works

By \_\_\_\_\_  
*For Road Commissioner*



PLAN VIEW  
HORIZONTAL SCALE: 1" = 40'

APPROVED  
MAR 22 2017  
LAND DEVELOPMENT REVIEW  
DRAINAGE & GRADES

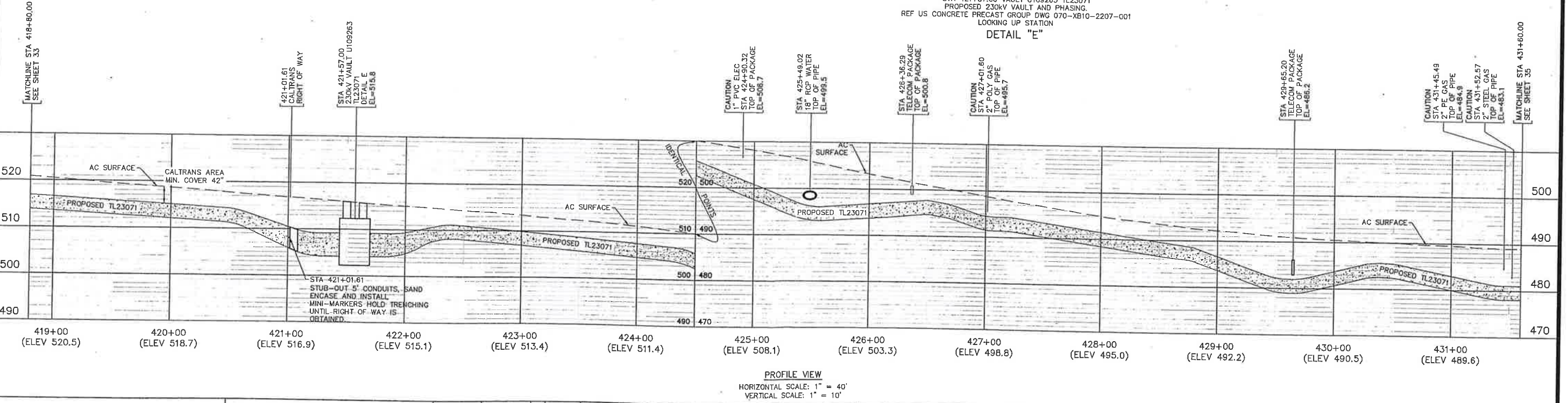


GRAPHIC SCALE  
0' 20' 40' 80'  
SCALE 1" = 40'

SCALE IS ACCURATE FOR 24"x36" SHEET PLOT. REPRODUCTIONS ON ANY OTHER SIZE SHEET DOES NOT REPRESENT TRUE SCALE.

NOTE A  
6" MIN. SAND CUSHION WITH 1" NEOPRENE PAD SHALL BE PLACED FOR WATER MAIN, STORM DRAIN UTILITIES AND SEWER MAIN CROSSINGS WHEN VERTICAL CLEARANCE IS 1' OR LESS.

TRENCH NOTES  
STA 418+80 TO STA 421+10, SECTION A-A  
STA 421+10 TO STA 421+44, SECTION B-B  
STA 421+44 TO STA 421+70, DETAIL E  
STA 421+70 TO STA 422+04, SECTION B-B  
STA 422+04 TO STA 431+60, SECTION A-A



NIV15



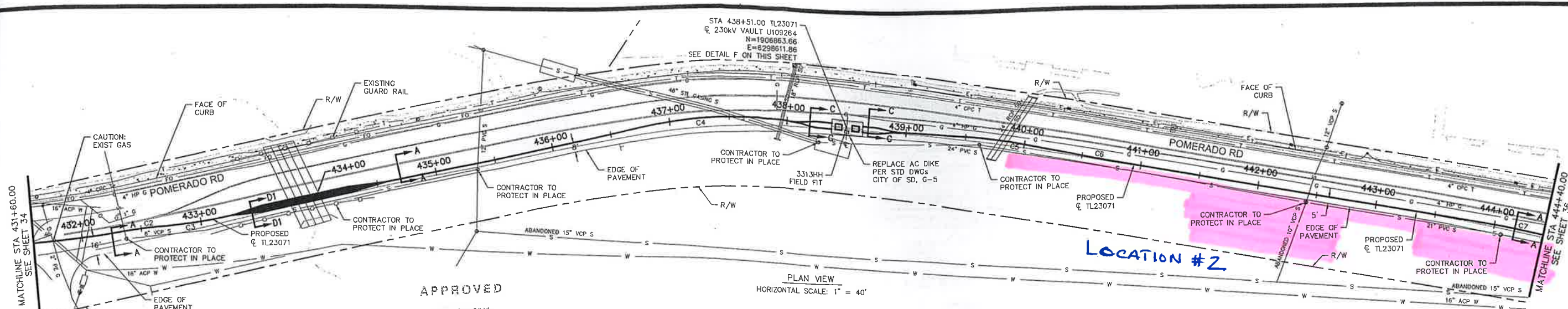
DRAWN BY:	NVS	CITY OF SAN DIEGO, PTS NO.528580 APPROVAL NO.1867632
DATE:	3/28/2017	
THO. BROS.	1208, E7 - 1210, E2	
PROJ. NO.		
CONST. NO.	2650975	
PLAN & PROFILE	A	
HORIZONTAL: 1"=40'	13128	2650975
VERTICAL: 1"=10'	REV	BUDGET

**SDGE** SAN DIEGO GAS & ELECTRIC  
TRANSMISSION ENGINEERING  
PLAN & PROFILE  
TL23071

TL23071  
SYCAMORE CANYON SUBSTATION  
TO PENASQUITOS SUBSTATION  
230KV UNDERGROUND SEGMENT

SCALE: H:1"=40' V:1"=10' SHEET 34 OF 60

DRAWING NUMBER  
63422-34



APPROVED  
 MAR 22 2017  
 LAND DEVELOPMENT REVIEW  
 DRAINAGE & GRADES

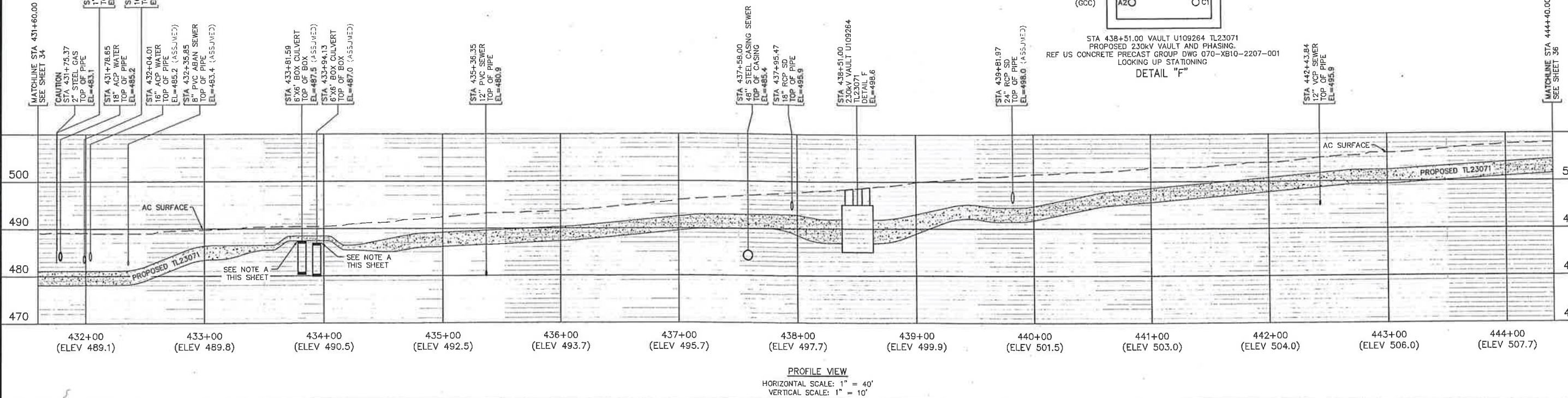
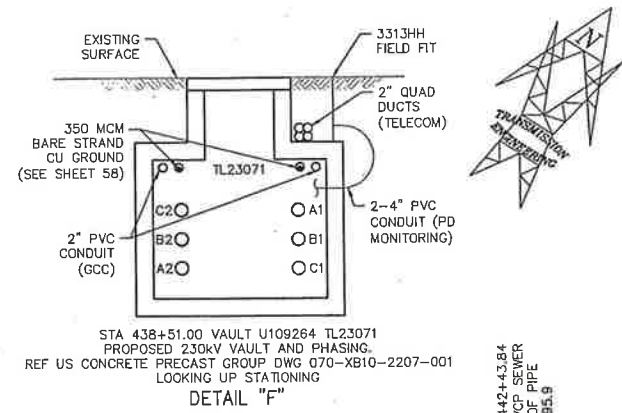
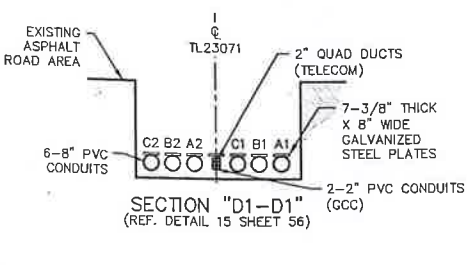
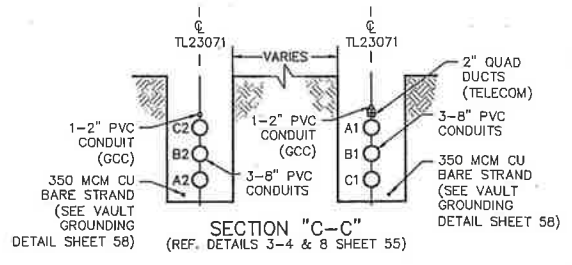
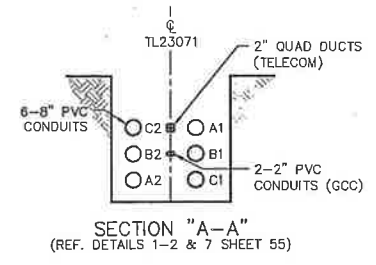
NOTE: CONTRACTOR TO ANTICIPATE HARD DIGGING FROM STA 440+00 TO STA 460+00. TRENCHING ANTICIPATED TO BE ACCOMPLISHED WITH TRADITIONAL METHODS.

GRAPHIC SCALE  
 0' 20' 40' 80'  
 SCALE 1" = 40'

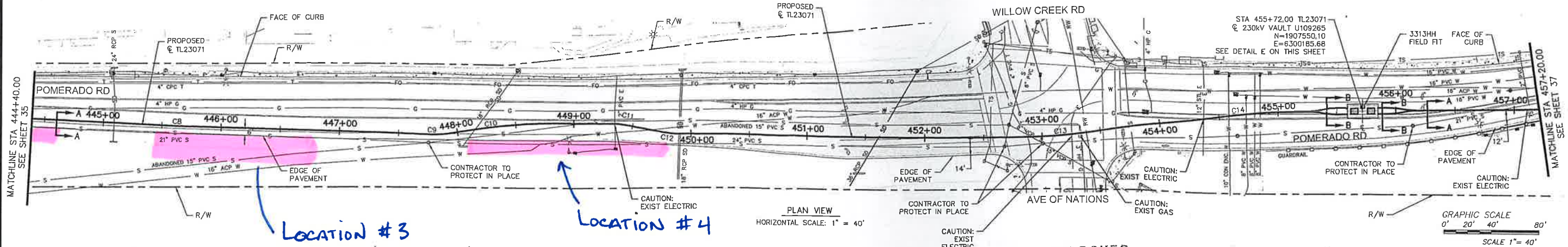
SCALE IS ACCURATE FOR 24"x36" SHEET PLOT. REPRODUCTIONS ON ANY OTHER SIZE SHEET DOES NOT REPRESENT TRUE SCALE.

NOTE A  
 6" MIN. SAND CUSHION WITH 1" NEOPRENE PAD SHALL BE PLACED FOR WATER MAIN, STORM DRAIN UTILITIES AND SEWER MAIN CROSSINGS WHEN VERTICAL CLEARANCE IS 1' OR LESS.

TRENCH NOTES  
 STA 431+60 TO STA 433+10, SECTION A-A  
 STA 433+10 TO STA 434+65, SECTION D1-D1  
 STA 434+65 TO STA 438+01, SECTION A-A  
 STA 438+01 TO STA 438+35, SECTION C-C  
 STA 438+35 TO STA 438+64, DETAIL F  
 STA 438+64 TO STA 438+97, SECTION C-C  
 STA 438+97 TO STA 444+40, SECTION A-A



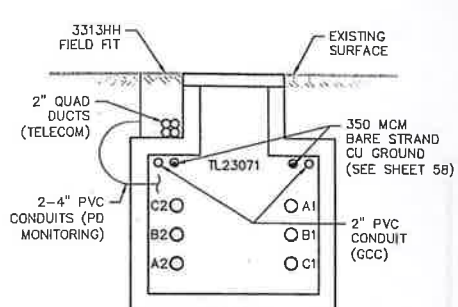
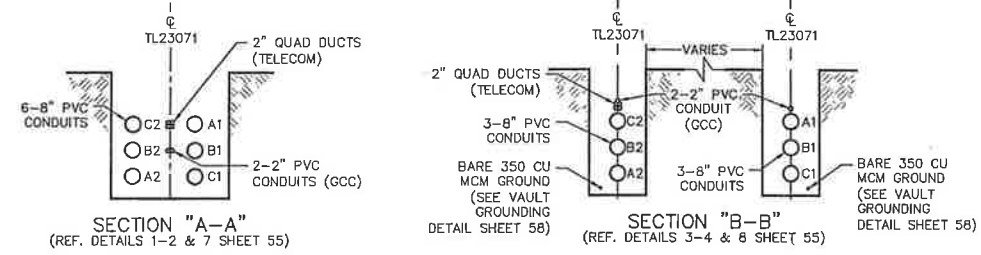
<p>WORK AREA OF SCIENCE, BATE 500 SAN DIEGO, CA 92161        619.594.0000 TEL 619.594.0000 FAX 619.594.0000</p>	<p>Call 2 Working Days Before You Dig! 811</p>	DRAWN BY: NYS DATE: 3/28/2017 THO. BROS. 1208, E7 - 1210, E2 PROJ. NO. --- CONST. NO. 2850975	CITY OF SAN DIEGO, PIS NO. 528580 APPROVAL NO. 1857632		<p>SAN DIEGO GAS &amp; ELECTRIC          TRANSMISSION ENGINEERING</p>	TL23071 SYCAMORE CANYON SUBSTATION TO PENASQUITOS SUBSTATION 230KV UNDERGROUND SEGMENT DRAWING NUMBER 63422-35
		PLAN & PROFILE HORIZONTAL: 1"=40' VERTICAL: 1"=10'	A --- --- 18128 2850975 REV BUDGET CONVEY ORDER	TRENCH & SUBSTRUCTURES CHANGE DWN CHD APPY DATE		



LOCATION #3  
LOCATION #4

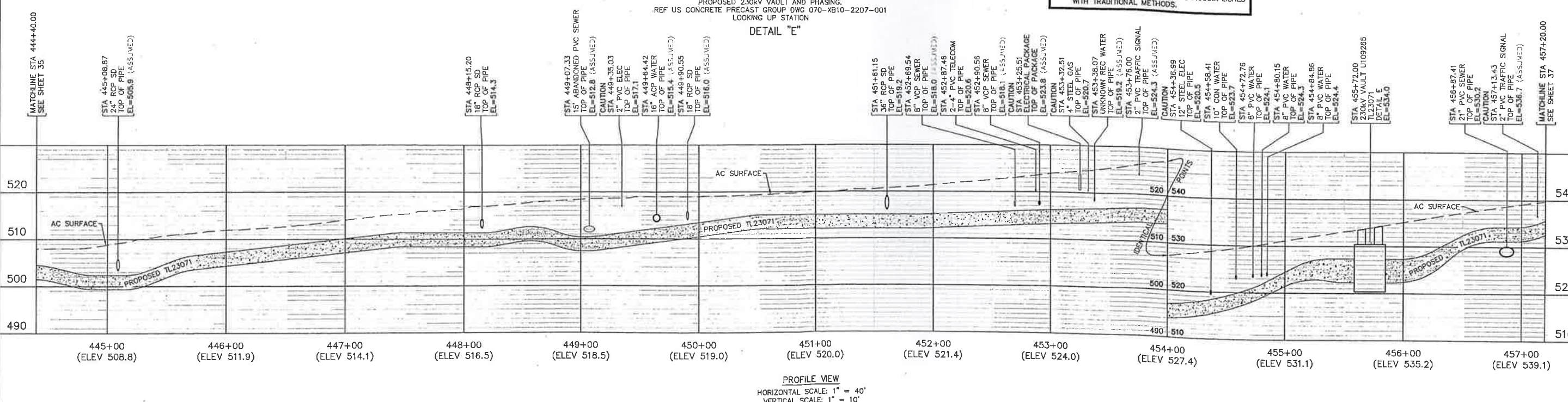
APPROVED  
MAR 22 2017  
LAND DEVELOPMENT REVIEW  
DRAINAGE & GRADES  
*[Signature]*

SCALE IS ACCURATE FOR 24"x36" SHEET PLOT. REPRODUCTIONS ON ANY OTHER SIZE SHEET DOES NOT REPRESENT TRUE SCALE.  
NOTE A  
6" MIN. SAND CUSHION WITH 1" NEOPRENE PAD SHALL BE PLACED FOR WATER MAIN, STORM DRAIN UTILITIES AND SEWER MAIN CROSSINGS WHEN VERTICAL CLEARANCE IS 1' OR LESS.



- NOTES:
- CONTRACTOR SHOULD EXPECT SECONDARY ROAD SECTION AT VARYING DEPTHS BETWEEN STA 450+00 TO STA 505+00.
  - CONTRACTOR TO ANTICIPATE HARD DIGGING FROM STA 440+00 TO STA 460+00. TRENCHING ANTICIPATED TO BE ACCOMPLISHED WITH TRADITIONAL METHODS.

TRENCH NOTES  
STA 444+40 TO STA 455+25, SECTION A-A  
STA 455+25 TO STA 455+59, SECTION B-B  
STA 455+59 TO STA 455+85, DETAIL E  
STA 455+85 TO STA 456+18, SECTION B-B  
STA 456+18 TO STA 457+20, SECTION A-A



PROFILE VIEW  
HORIZONTAL SCALE: 1" = 40'  
VERTICAL SCALE: 1" = 10'

NIVIS



DRAWN BY:	NVS	CITY OF SAN DIEGO, PTS NO. 528580 APPROVAL NO. 1857532
DATE:	3/28/2017	
THO. BROS.	1208, E7 - 1210, E2	
PROJ. NO.		
CONST. NO.	2650975	
PLAN & PROFILE	A	
HORIZONTAL: 1" = 40'	13128 2650975	TRENCH & SUBSTRUCTURES
VERTICAL: 1" = 10'	REV BUDGET CONST ORDER	CHANGE
		DWN CHD APPY DATE

**SDGE** SAN DIEGO GAS & ELECTRIC  
TRANSMISSION ENGINEERING  
PLAN & PROFILE  
TL23071  
SCALE: H:1"=40' V:1"=10' SHEET 36 OF 60

TL23071  
SYCAMORE CANYON SUBSTATION  
TO PENASQUITOS SUBSTATION  
230KV UNDERGROUND SEGMENT  
DRAWING NUMBER  
63422-36

# Photographs



Location 1: (428+00→429) Facing NE



Location 1: (428+00→429) Facing SW



Location 2: (440 +00 → 444+60) Facing NE

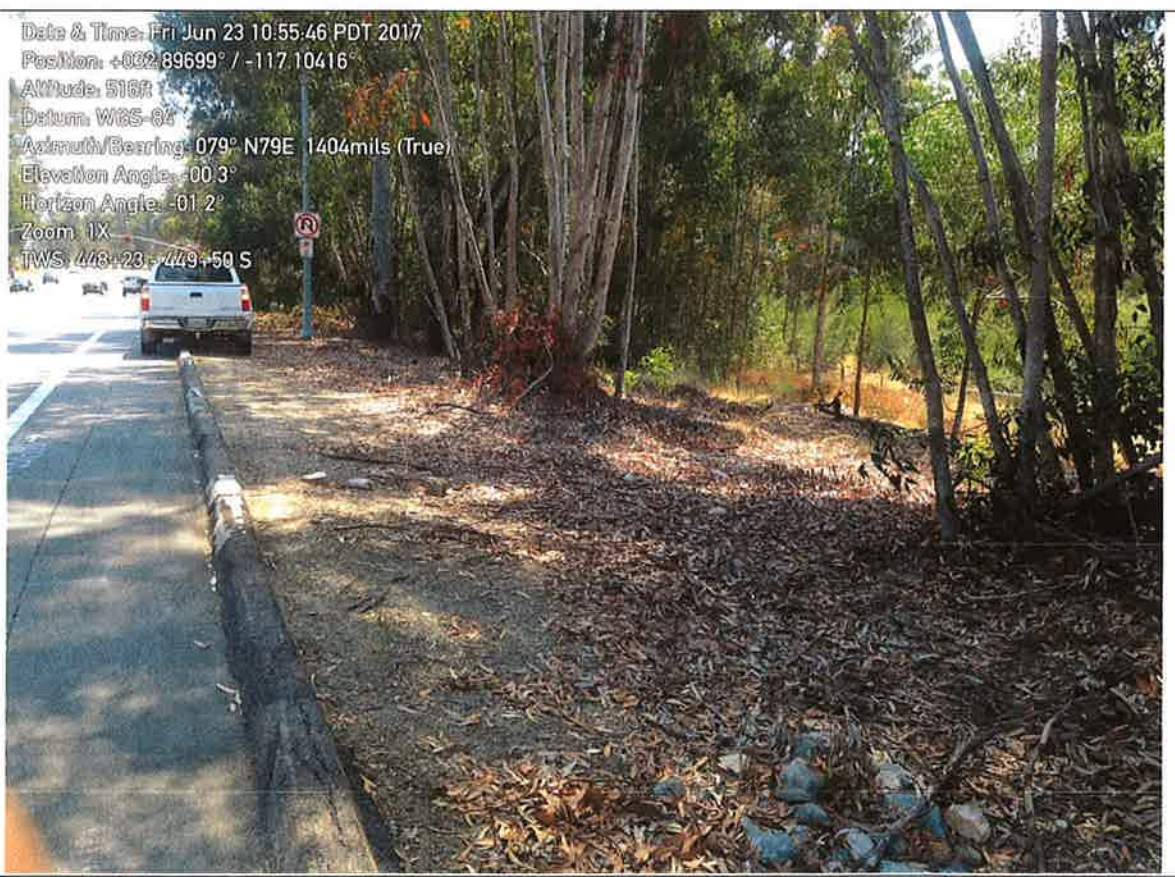


Location 2: (440 +00 → 444+60) SW



Date & Time: Fri Jun 23 11:05:43 PDT 2017  
Position: +032.89688 / -117.10454  
Altitude: 519ft  
Datum: WGS-84  
Azimuth/Bearing: 237° S87W 4213mils (True)  
Elevation Angle: -05.0°  
Horizon Angle: -01.4°  
Zoom: 1X  
TWS: 445+35 - 446+50 S

Location 3: (445+35 → 446+50) Facing SW



Date & Time: Fri Jun 23 10:55:46 PDT 2017  
Position: +032.89699 / -117.10416  
Altitude: 516ft  
Datum: WGS-84  
Azimuth/Bearing: 079° N79E 1404mils (True)  
Elevation Angle: -00.3°  
Horizon Angle: -01.2°  
Zoom: 1X  
TWS: 448+23 - 449+50 S

Location 4: (448+23 → 449+50) Facing NE



POMERADO RD / DPW2017-RWTCP-00741 (RELATE PERMIT DPW2017-RWTCP-00229)  
TO PROVIDE FOUR STAGING AREAS TO STORE SHORING  
AND TRENCH PLATING EQUIPMENT FOR  
THE TL23071 ELECTRICAL TRANSMISSION LINE PROJECT  
TRAFFIC CONTROL NOTES

Contractor shall make application to the Traffic Engineering Section of the Department of Public Works (Roads Division, 5510 Overland Ave, Suite 410, Rm 470, San Diego, CA, 92123-1239, Mail Station O332) for a traffic control permit, a minimum of three (3) weeks prior to commencement of work. There is no fee for this permit.

The closure of Pomerado Rd will not be permitted unless prior approval by the County Traffic Engineer.

Work hours for entering and existing the staging areas shall be from 9:00 AM to 3:30 PM, Monday thru Friday. The storage of equipment within the four approved staging areas shall be for 24 hours.

Traffic control shall be in accordance with the attached plan. The contractor shall place the staging areas outside the roadway, bike lane, paved shoulder, sidewalk, and pedestrian DG pathway. The Contractor shall maintain 12' minimum travel lanes (14' minimum travel lanes where bike lanes exist) at all times.

No road closures, detours or striping changes will be allowed to start on a Friday, unless otherwise noted and approved by the County Traffic Engineer.

The Contractor shall be responsible for coordinating with any Special Events that will be affected in the area of the impending work.

The Contractor shall maintain maximum closure length based on work that can be completed at the end of the work day.

During non-working hours, the Contractor shall provide the full road width, which existed prior to the start of construction.

When the work zone is confined to the road shoulder with minimal or no road encroachment, refer to Chapter 6H "Typical Applications" of the "California Manual on Uniform Traffic Control Devices" (CA MUTCD), latest edition.

NOTIFICATION

Permittee agrees to indemnify, hold harmless and defend the County and each of its officers and employees from any liability or responsibility for accident, loss or damaged to persons or property arising by reason of the work done by permittee, or permittee's agents, employees or representatives.

Whenever construction activity will disrupt or impede access to any residence/business, the contractor shall inform each affected residence/business by written notice the nature and expected duration of the disruptive construction activity. Such written notice shall be delivered to each affected residence/business a minimum of two (2) weeks prior to the start of the disruptive construction activity.

## SIGNING

All signs shall conform to the specification set forth in the latest edition of Part 6, "Temporary Traffic Control" of the "California Manual on Uniform Traffic Control Devices for Streets and Highways" (CA MUTCD), latest edition.

The Contractor shall place "Tow-Away/No Parking" signs along the street 24 hours prior to the impending work. "Tow-Away/No Parking" signs shall be furnished by the Contractor and shall contain a space in which the contractor shall enter the day(s) during which parking will be prohibited. Contractor shall remove these signs immediately when they are no longer needed for use in the respective area of the project. If work is delayed or rescheduled for any reason after placement of "Tow-Away/No Parking" signs, sign(s) shall be removed and re-dated signs shall be installed two (2) days in advance of the impending work.

All signs shall be in place prior to start of construction.

All advance warning signs shall be 48" x 48".

All other signs shall be standard size unless otherwise noted.

For continuous work lasting more than two weeks, all W20-1 or C23, and curve warning signs shall be mounted on 4"x 4" wooden posts at standard height and equipped with type "B" high-intensity flashers, unless otherwise noted.

For work of less than two weeks, all W20-1 signs can be either post-mounted on 4" x 4" wooden posts at standard height or on a portable type installation.

Post-mounted signs shall remain in place at all times until construction is completed. Other signs required for traffic control shall be laid down or covered during non-working hours.

All other signs may be mounted on a portable type installation as per Section 12-3.06B of Caltrans Standard Specifications unless otherwise noted.

All bike lane signs within work area shall be covered during working hours. Contractor shall use "BIKE LANE CLOSED" signs when working on roads that have designated bike lanes and remove the "BIKE LANE CLOSED" signs within the work area during non-working hours.

Placement of all signs shall not interfere with sight distance at driveways and intersections.

Position of post-mounted signs may be adjusted as necessary to optimize visibility or sign and/or obtain suitable placement area.

W20-1 signs and all other yellow or orange signs shall have a reflective background constructed of at least high-intensity (Type III) retroreflective sheeting.

All signs shall be equipped with orange flags (or folded signs or with flashers) on roads posted 50 MPH or higher.

## DEVICES

Actual work area shall be protected with either orange reflectorized channelizing devices or by barricades equipped with type "A" flashers sufficient in number to prevent entry of both vehicles and pedestrians except as may be noted elsewhere. At no time shall a continuous row of flashers be used adjacent to a lane of traffic. Only steady-burn type "C" lamps shall be used under these circumstances.

All cones and/or post delineators shall be fitted with reflective sleeves of the appropriate color.

If used, all type "B" flashers shall operate 24 hours a day.

## ACCESS

Emergency vehicle access shall be maintained at all times.

Contractor shall maintain access to all private driveways within the construction area. If continuous access cannot be maintained, access must be provided as needed.

Adequate provisions shall be made for pedestrian traffic.

Adequate sight distance shall be maintained at all intersections in the vicinity of the work zone. If sight distance is affected by the traffic control, the contractor shall provide adequate distance per the County of San Diego Public Road Standards. The use of mirrors, or such devices, is not acceptable as an alternative to providing adequate sight distance.

## GENERAL

The Contractor shall be responsible for supplying, installing and maintaining all traffic control devices as shown on the plan along with additional traffic control devices that may be required to ensure safe movement of traffic and pedestrians through work area.

The provisions of this section may be modified or altered if, in the opinion of the engineer, public traffic will be better served and the work expedited. Said modifications or alterations shall not be adopted until approved in writing by the engineer.

All dirt and debris shall be removed from the roadway each day before completion of work. Street must be maintained in drivable condition at all times. Contractor shall not use the County right of way for storage of materials.

All advance warning signs, delineators, and barricades shall be removed from the roadway at the end of work each day (except W20-1 signs, if plate-bridging overnight.)

The Contractor is to replace roadway and all signing to normal conditions at the completion of work.

The Contractor shall coordinate traffic operations with adjacent Municipalities, San Diego Metropolitan Transit System (MTS) Operations Department (please note: MTS requests require two weeks prior notice for discontinuation of a bus stop or detours to service), private road owners and/or Home Owner Associations (HOA).